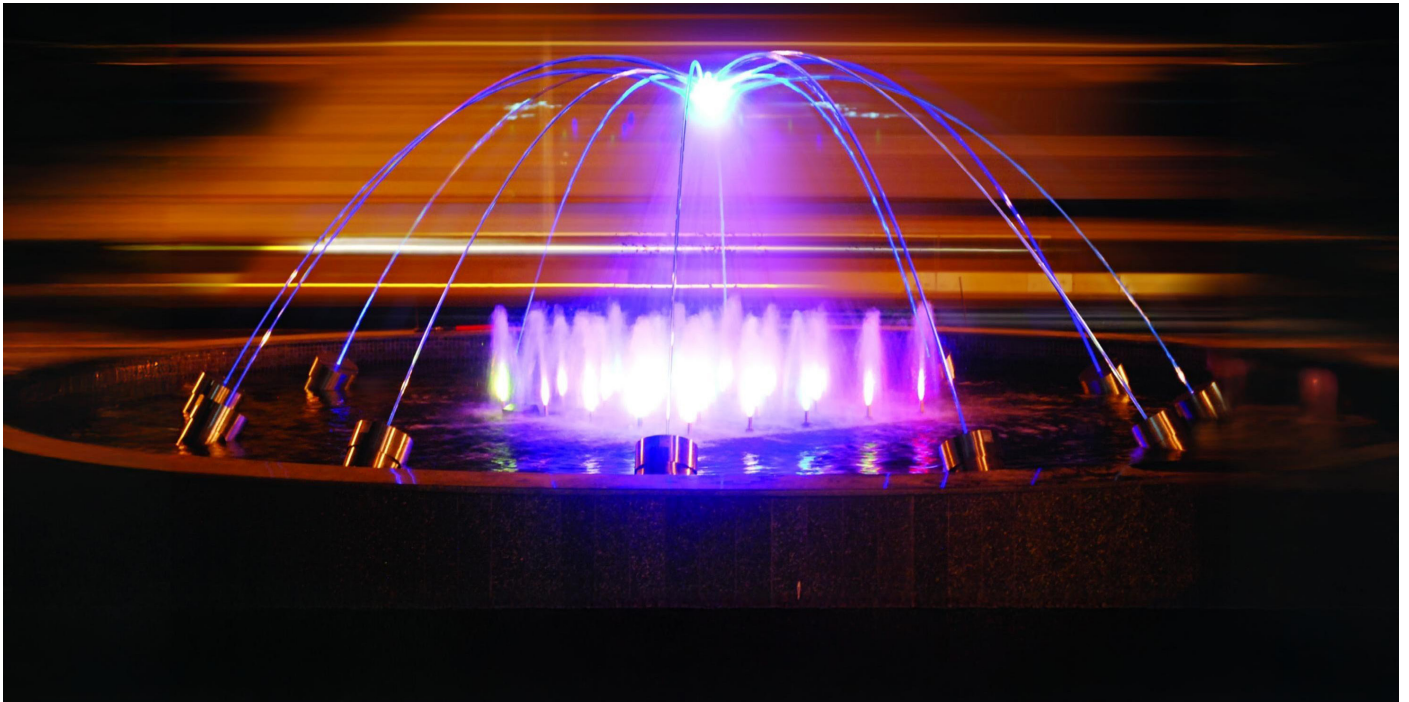


# JUMP Laminar Fountain Nozzle

## The Art of Water JumpsTechnology



Discover the elegance of our Laminar Arch Jets, engineered to create mesmerizing water features that enhance your environment. These cutting-edge jets produce crystal-clear streams of water that form elegant arches, providing a stunning visual experience for parks, plazas, and fountains. The laminar flow technology ensures that the water remains unbroken and free of turbulence, resulting in a mesmerizing effect that captures attention. JUMP is perfect water feature with own slice and lighting features.

- ✓ Robust Stainless Steel Body
- ✓ 24VDC Powered & DMX-RDM Controlled
- ✓ IP68 Socketed One Cable Connection
- ✓ Synchronorm Depence Library available
- ✓ Slice/On-Off Function
- ✓ Parabic Water Archs with Ø12mm or Ø16mm
- ✓ Laminer Flow Jumping Jets

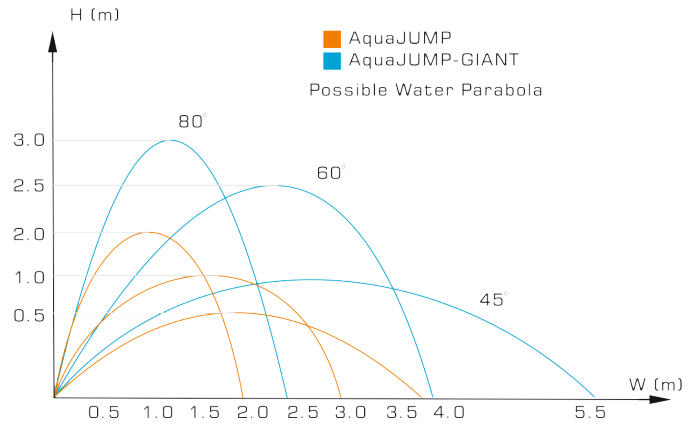


# JUMP Laminar Fountain Nozzle

## TECHNICAL DETAILS

MODEL :	JUMP Laminar
DIMENSION (LxMxH) :	140x240x480 mm
MATERIAL :	Stainless Steel
WEIGHT :	15 kg
POWER & DMX :	Combo Cable
WATER INLET :	32 mm
NOZZLE OUTPUT :	12 mm
CURRENT :	1.8 A
POWER :	40 W
VOLTAGE :	24 VDC
PRODUCT NO :	1080

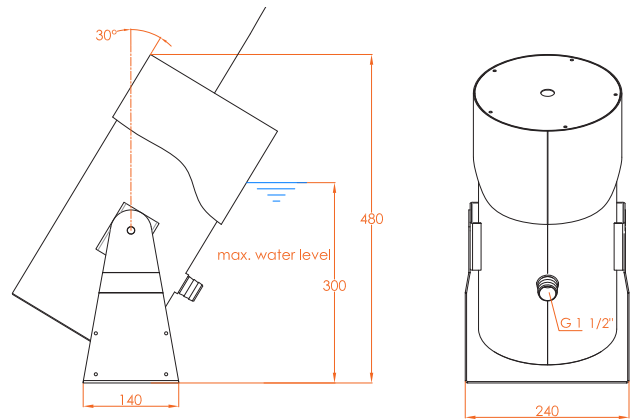
## WATER PARABOLA :



## COMPATIBLE ELEMENTS AND ACCESSORIES

PRODUCT SEE
Nozzles : Accessory nozzles
Connection : Connection accessories
Controlling : Control accessories

## Schematic :



## Electrical Connection Schematic :

