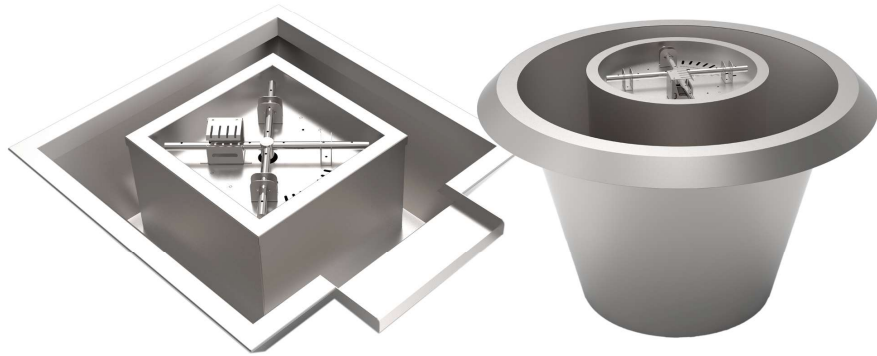


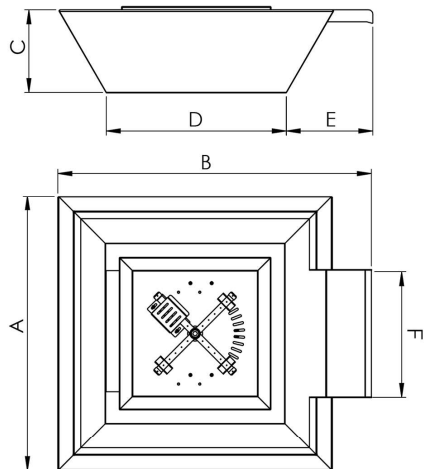
Fire & Water Fountain



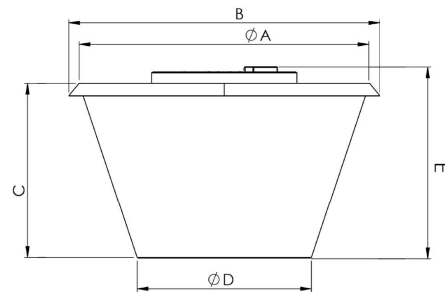
- ⊕ Available in two shapes: square and circular
- ⊕ Equipped with remote control and fire bowl solenoid valve system
- ⊕ Simultaneous display of water and fire
- ⊕ Constructed from 304 stainless steel
- ⊕ Available in two sizes: 40x40 cm and 80x80 cm



Square



Circle



Dimensions	Fire and Water Square		Fire and Water Circle	
	60x60 cm	80x80 cm	RO 70cm	RO 100cm
A (mm)	650	850	620	900
B (mm)	740	940	700	1000
C (mm)	200	260	405	605
D (mm)	430	550	408	510
E (mm)	200	230	430	630
F (mm)	300	300	-	-
Water Flow (l/m)	50	50	250	333.3
Gas Connection	G 1/2x1 (inch)	G 1/2x1 (inch)	G 1/2x1 (inch)	G 1/2x1 (inch)
Water Connection	G1x1 (inch)	G1x1 (inch)	G1x2 (inch)	G1x3 (inch)
Weight (kg)	14	24	35	60