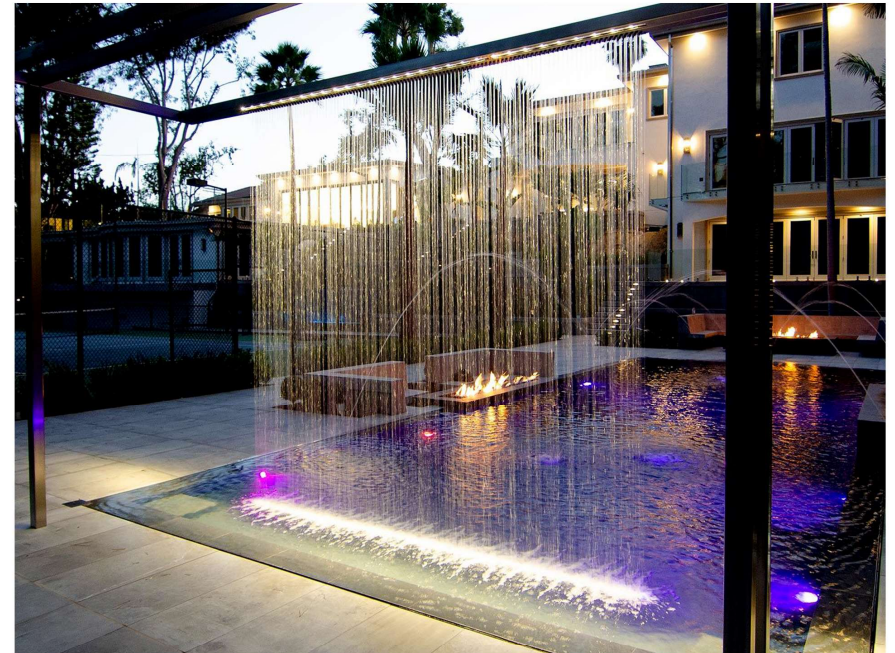
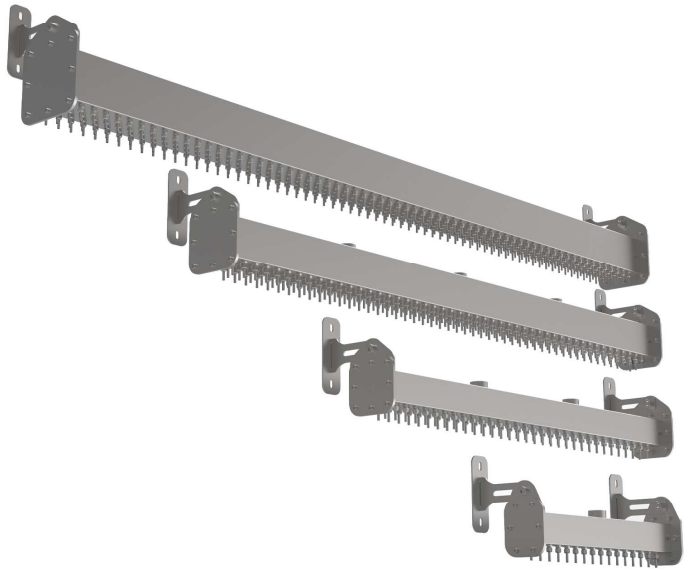
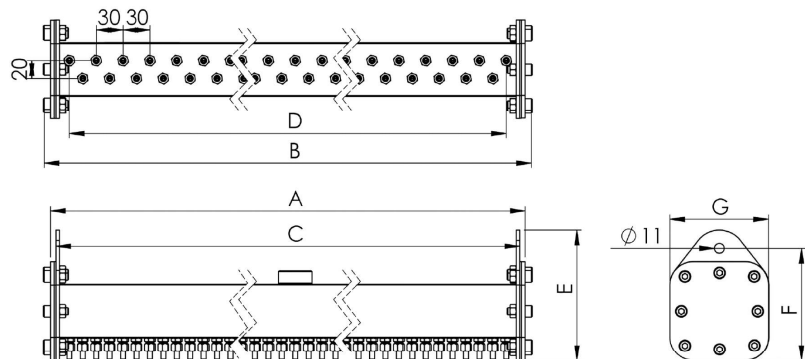


Rain Water Curtain Nozzle



- ⊕ Custom sizing available upon request
- ⊕ Available with 1 to 3 rows of nozzles
- ⊕ Constructed from 304 and 316 stainless steel
- ⊕ Equipped with internal flow stabilizer, vibration dampener, and water distributor
- ⊕ Can be manufactured in linear, curved, circular, or square shapes

	Rain Nozzle 25 cm	Rain Nozzle 50 cm	Rain Nozzle 100 cm	Rain Nozzle 200 cm
Line of Nozzle	Flow (l/m)	Flow (l/m)	Flow (l/m)	Flow (l/m)
1 Line	8.3	16.6	33.3	66.6
2 Line	16.6	33.3	66.6	133.3
3 Line	25	50	100	200



Dimensions	Rain Nozzle 25 cm			Rain Nozzle 50 cm			Rain Nozzle 100 cm			Rain Nozzle 200 cm		
	L1	L2	L3	L1	L2	L3	L1	L2	L3	L1	L2	L3
A (mm)	250	250	250	490	490	490	1000	1000	1000	1992	1992	1992
B (mm)	270	270	270	520	520	520	1020	1020	1020	2010	2010	2010
C (mm)	240	240	240	480	480	480	990	990	990	1980	1980	1980
D (mm)	210	210	210	450	450	450	960	960	960	1950	1950	1950
E (mm)	95	115	130	95	115	130	95	115	130	95	115	130
F (mm)	125	125	145	125	125	145	125	125	145	125	125	145
G (mm)	145	145	165	145	145	165	145	145	165	145	145	165
Number of Nozzle	8	15	23	16	31	47	33	65	98	66	131	197
Connection	G1x1	G1x1	G1x1	G1x1	G1x1	G1x1	G1x1	G1x1	G1x1	G1x2	G1x2	G1x2
Weight (kg)	3	3.2	4.2	4	4.5	5.5	6	7	8	10	12	14